

DELTA SAMA JAYA SDN. BHD.



Tel: +603- 9282 4007/ 9281 3778

Fax: +603- 9287 0705

Email: samajaya@substation.com.my

SUSPENSION CLAMP (SC)



SUSPENSION CLAMP (SC) is designed for supporting Insulated Aerial Bundle Cable (ABC) having messenger cable size ranging from 25 to 120 mm² in straight lines and at angles.

The body of the suspension clamp is supplied with the tightening piece consisting of screw and clamp, enabling the messenger cable to be fitted (locked) into the suspension groove.

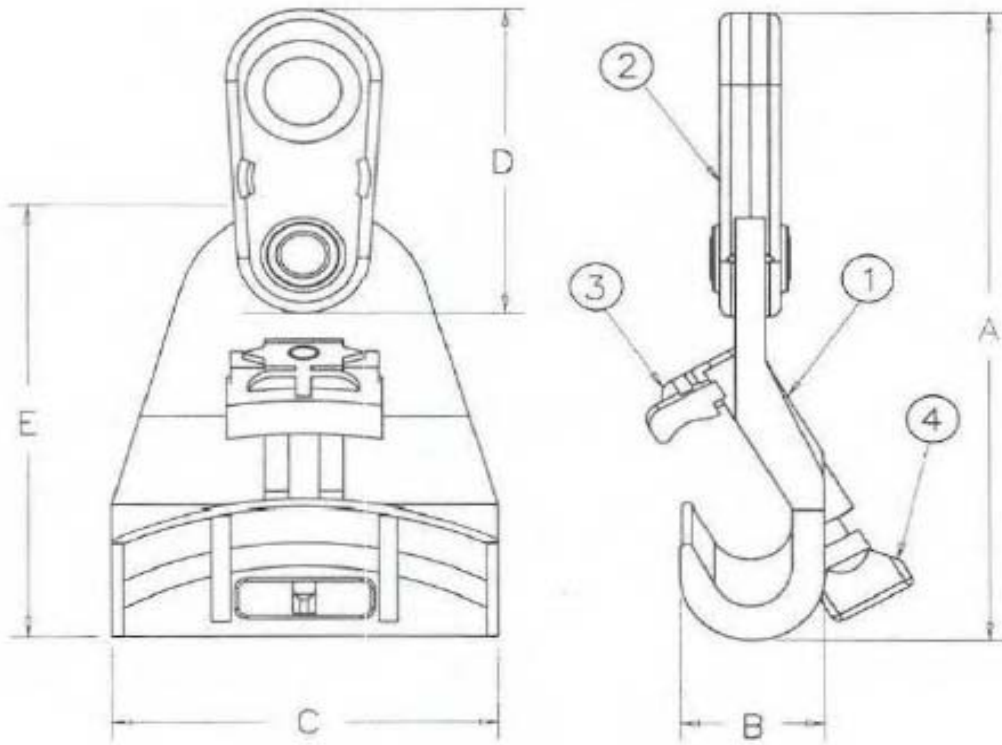
The body, the movable link, tightening screw and the clamp are made of reinforced thermoplastic, a U-V radiant resistant material having mechanical and climatic properties.

The suspension clamp is flexible in the vertical direction because of the movable link and also served as a weak link in the suspension of the aerial cable.



Manufacturer Code	Conductor Sizes (Messenger) (mm ²)	Breaking Load (kg)	
		Link	Body
SC 25-120	25 - 120	Link	600
		Body	1200

SUSPENSION CLAMP



Product Specifications

No	Product Descriptions	Materials	Product Dimensions (mm)					Conductor Size (Messenger) mm ²
			A	B	C	D	E	
1	Body	Thermoplastic	183	39	100	89	126	25 - 120
2	Link	Thermoplastic						
3	Clamp	Thermoplastic						
4	Screw	Thermoplastic						
Breaking Load (min)							Link	600 kg
							Body	1200 kg